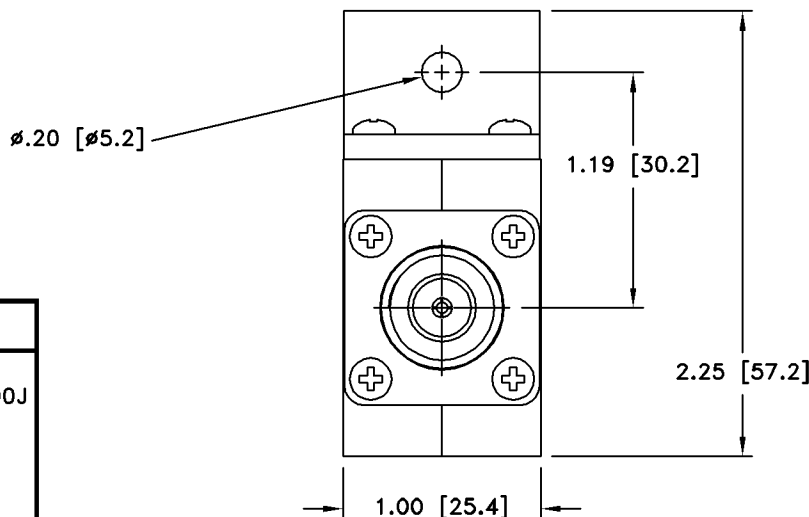
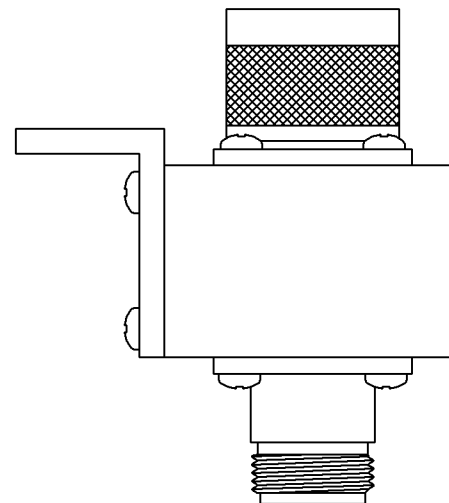
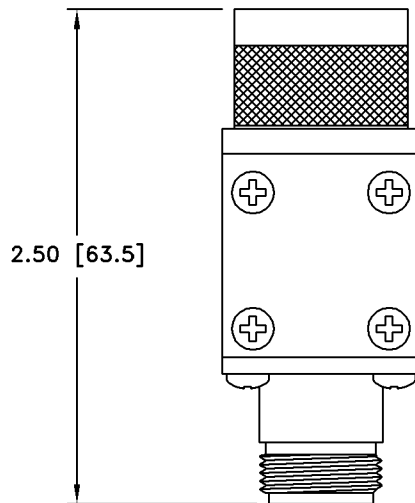
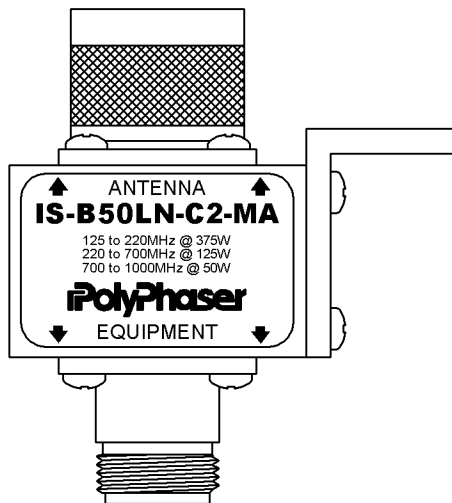


ALL DESIGN, OPERATIVE AND PROCESS DATA PERTAINING TO THE ARTICLE SHOWN ON THIS SHEET IS THE PROPERTY OF POLYPHASER CORPORATION. THE INFORMATION IS NOT TO BE COPIED, REPRODUCED, REVEALED TO OR APPROPRIATED BY OTHERS WITHOUT THE EXPRESS WRITTEN CONSENT OF POLYPHASER CORPORATION.

These commodities or technology are exported from the U.S. in accordance with the Export Administration Regulations. Diversion contrary to U.S. law prohibited.

| REVISIONS | | | | |
|-----------|----------|-----|------|------|
| REV LTR | DATE | ENG | MKTG | Q.A. |
| E | 03/08/07 | AD | - | - |



CUSTOMER APPROVAL: _____ DATE: _____
 ALL DIMENSIONS SHOWN ABOVE ARE FOR REFERENCE ONLY.

| MAXIMUM CHARACTERISTICS | |
|-------------------------|---|
| SURGE: | 50kA IEC 61000-4-5 8/20μs WAVEFORM 500J |
| TURN-ON: | 600Vdc ±20% |
| TURN-ON TIME: | 2.5ns FOR 2kV/ns |
| FREQUENCY RANGE: | 125MHz TO 1000MHz |
| VSWR: | ≤1.1 TO 1 OVER FREQUENCY RANGE |
| INSERTION LOSS: | ≤0.1dB OVER FREQUENCY RANGE |
| TEMPERATURE: | -50°C TO 125°C STORAGE/OPERATING +50°C |

| | |
|---------------|----------|
| DRAFTER | DATE |
| C. GASPARINI | 08/09/96 |
| MECH ENGINEER | DATE |
| O. AKDAG | 08/09/96 |
| ELEC ENGINEER | DATE |
| T. KULBIEDA | 08/09/96 |
| MARKETING | DATE |
| - - - - | - - - |
| QUALITY DEPT | DATE |
| R. MILLER | 08/09/96 |

PolyPhaser

P.O. BOX 9000 MINDEN, NY 89423 TEL: 775-782-2511 FAX: 775-782-4476
 DWG NO/PART NO/DESCRIPTION

IS-B50LN-C2-MA
 CUSTOMER PRINT

| | | | |
|-----------|-----------|-------|--------|
| CAGE CODE | FILE NAME | SCALE | SHEET |
| 61114 | -C1 | 1/1 | 1 OF 1 |