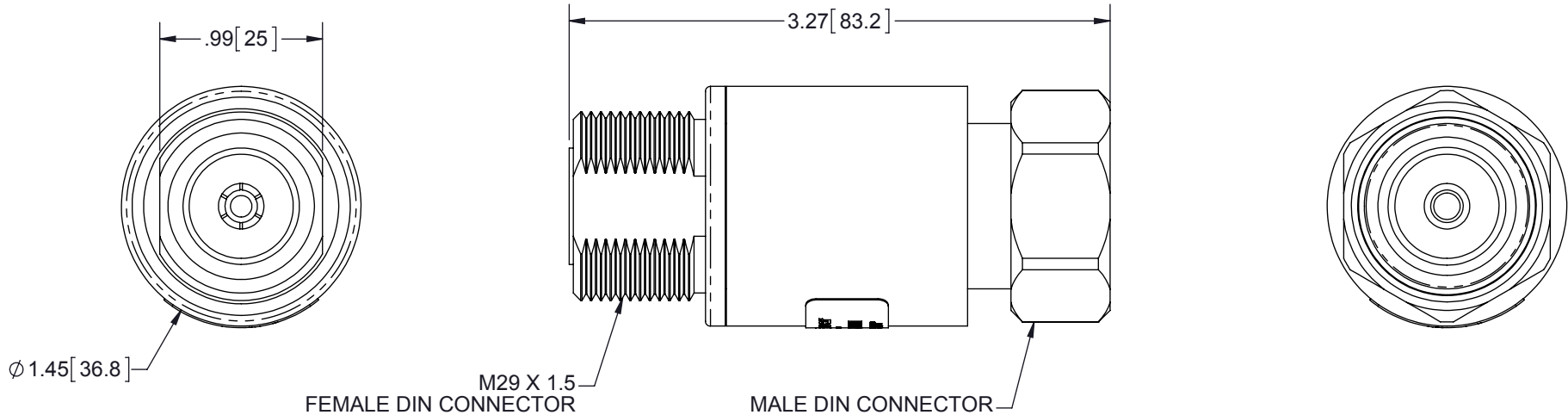


REVISIONS				
REV.	DESCRIPTION	ECN	DATE	APPROVED
D	REFER TO ECN	9914	7/27/11	CAP



MAXIMUM CHARACTERISTICS

APPLICATION:

DC SHORT/RF ONLY (NO POWER SUPPLY PROVISIONS)
 BULKHEAD MOUNT BI-DIRECTIONAL
 WEATHERPROOF WHEN INSTALLED

FREQUENCY RANGE:

698MHz TO 2.7GHz @ -26dB RETURN LOSS

MAX SURGE:

IEC 61000-4-5 8/20µs WAVEFORM
 40kA MAX
 20kA MULTIPLE

INSERTION LOSS:

≤0.1dB

CONTINUOUS POWER:

500W @ 920MHz
 (750W @ 50°C)

LET THROUGH VOLTAGE:

≤±200mV FOR 3kA @ 8/20µs WAVEFORM

THROUGHPUT ENERGY:

≤5nJ FOR 3kA @ 8/20µs WAVEFORM

PIM 3rd ORDER:

<-155dBc (-112dBm); 2 X 20W INPUT

TEMPERATURE:

-50°C TO +85°C STORAGE/OPERATING

VIBRATION:

1G @ 5Hz TO 100Hz

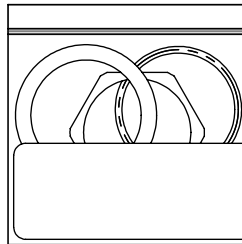
MATERIAL:

BODY: TRI-M3™ PLATING OVER BRASS
 PTFE: DIELECTRIC
 CENTER PINS: TRI-METAL

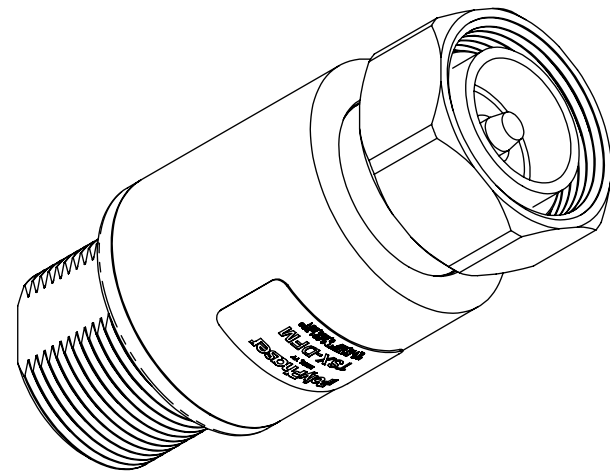
ENVIRONMENTAL:

MEETS IEC 60529 IP67
 MEETS BELLCORE #TA-NWT-000487
 PROCEDURE 4.11, WIND DRIVEN (120MPH)
 RAIN INTRUSION TEST

HARDWARE KIT INCLUDED



VIEW A
 SCALE 1:2



CUSTOMER APPROVAL: _____ DATE: _____

ALL DIMENSIONS SHOWN ARE FOR REFERENCE ONLY.

<small>UNLESS OTHERWISE SPECIFIED LEADING DIMENSIONS ARE INCHES DIMENSIONS IN [] ARE MILLIMETERS</small> TOLERANCES: FRACTIONS=±XX=± .03 ANGLES=± °XXX=± .010 <small>NOTICE: THE INFORMATION AND DESIGN IN THIS DOCUMENT IS THE PROPERTY OF POLYPHASER CORPORATION. ALL RIGHTS RESERVED.</small>	DRAWN	DATE			SHEET	1	OF	1		
	ENG APPD	JS			10/30/08	SCALE	1:1			
	PRODUCT MGR	RD			10/14/09	TITLE BI-DIRECTIONAL BROADBAND DC SHORT FILTER DIN FEMALE/MALE <small>CUSTOMER SPECIFICATION</small>				
	MARKETING APPD	LJ			10/14/09					
	PROJECT NO.	PB	10/14/09	DOCUMENT NAME	SIZE	CAGE	PART NUMBER	REV		
				TSX-DFM-C	A	61114	TSX-DFM	D		



THESE COMMODITIES, TECHNOLOGY OR SOFTWARE WERE EXPORTED FROM THE UNITED STATES IN ACCORDANCE WITH THE EXPORT ADMINISTRATION REGULATIONS. DIVERSION CONTRARY TO U.S. LAW PROHIBITED.